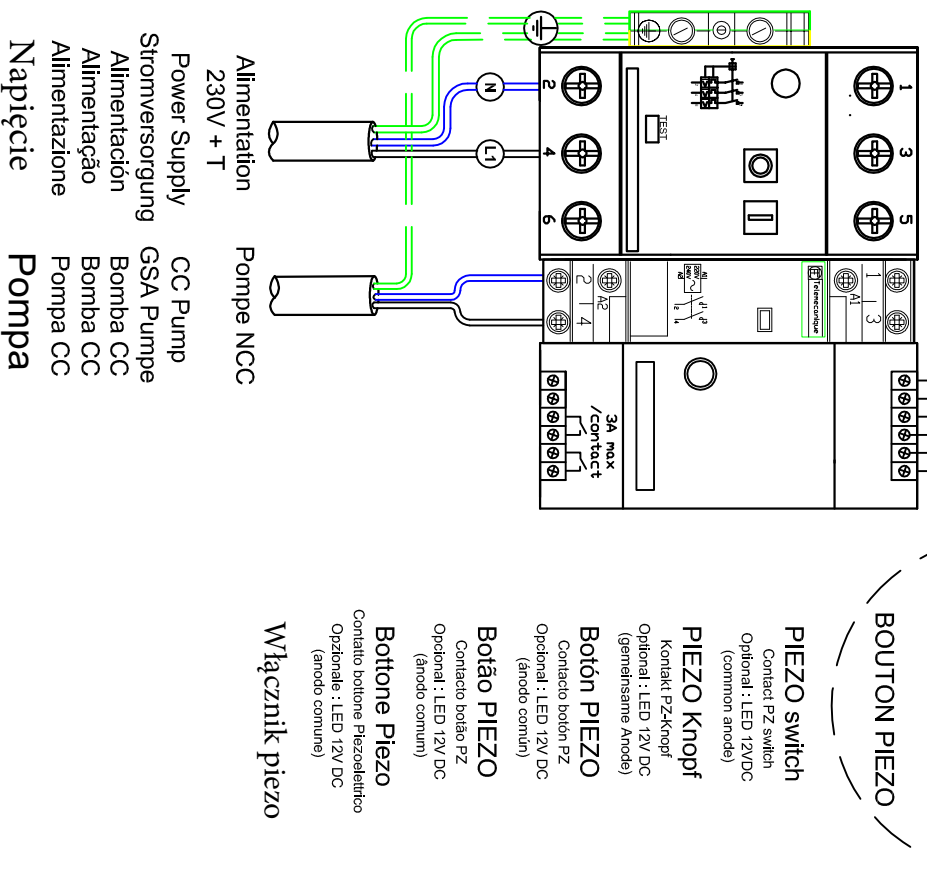
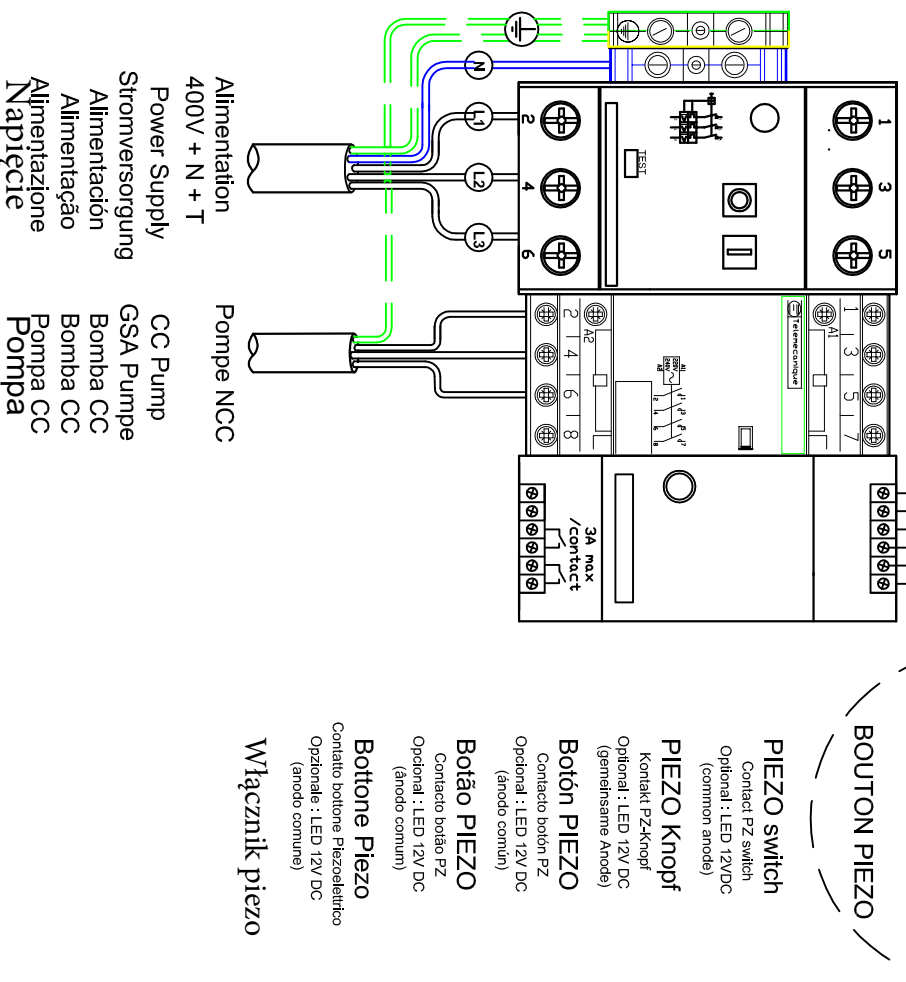


0 1 2 3 4 5 6 7 8 9 10

Monophasé  
Single-phase  
Einphasig  
Monofásico  
Monofásico  
Monofase  
Jedna faza



Triphasé  
Three-phased  
Dreiphasig  
Trifásico  
Trifásico  
Trifase  
Trzy fazy



|                           |              |                 |     |
|---------------------------|--------------|-----------------|-----|
| Famille:                  |              | <b>PINCC-PZ</b> |     |
| Référence:                |              | <b>PINCC PZ</b> |     |
| B                         | Module MPZ   | 17/12/2014      | MS  |
| A                         | Création     | 17/06/2013      | MS  |
| Ind.                      | Modification | Date            | Nom |
| Code info: B_PINCC-PZ_DCC |              | N° FOLIO        |     |
|                           |              | 1/1             |     |